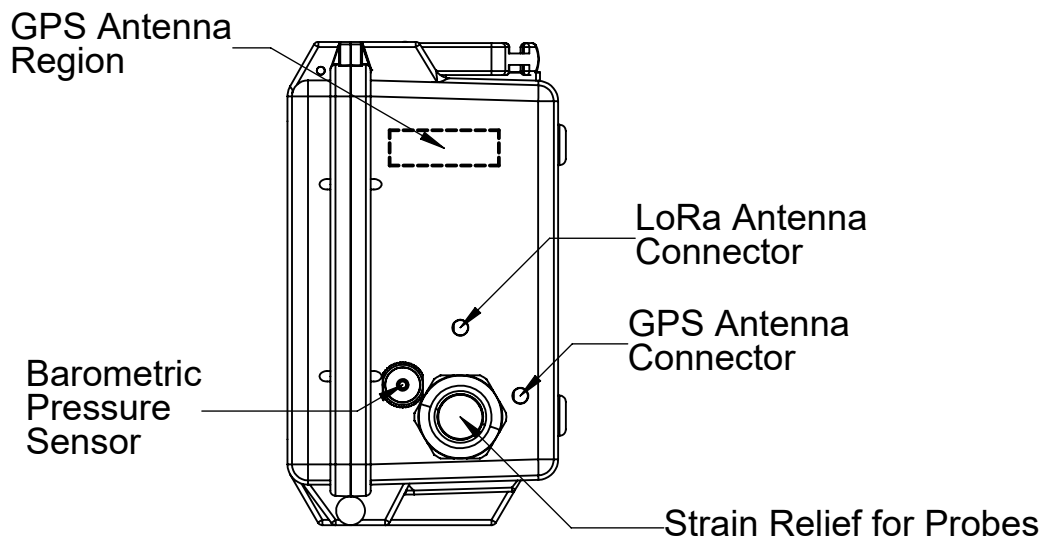
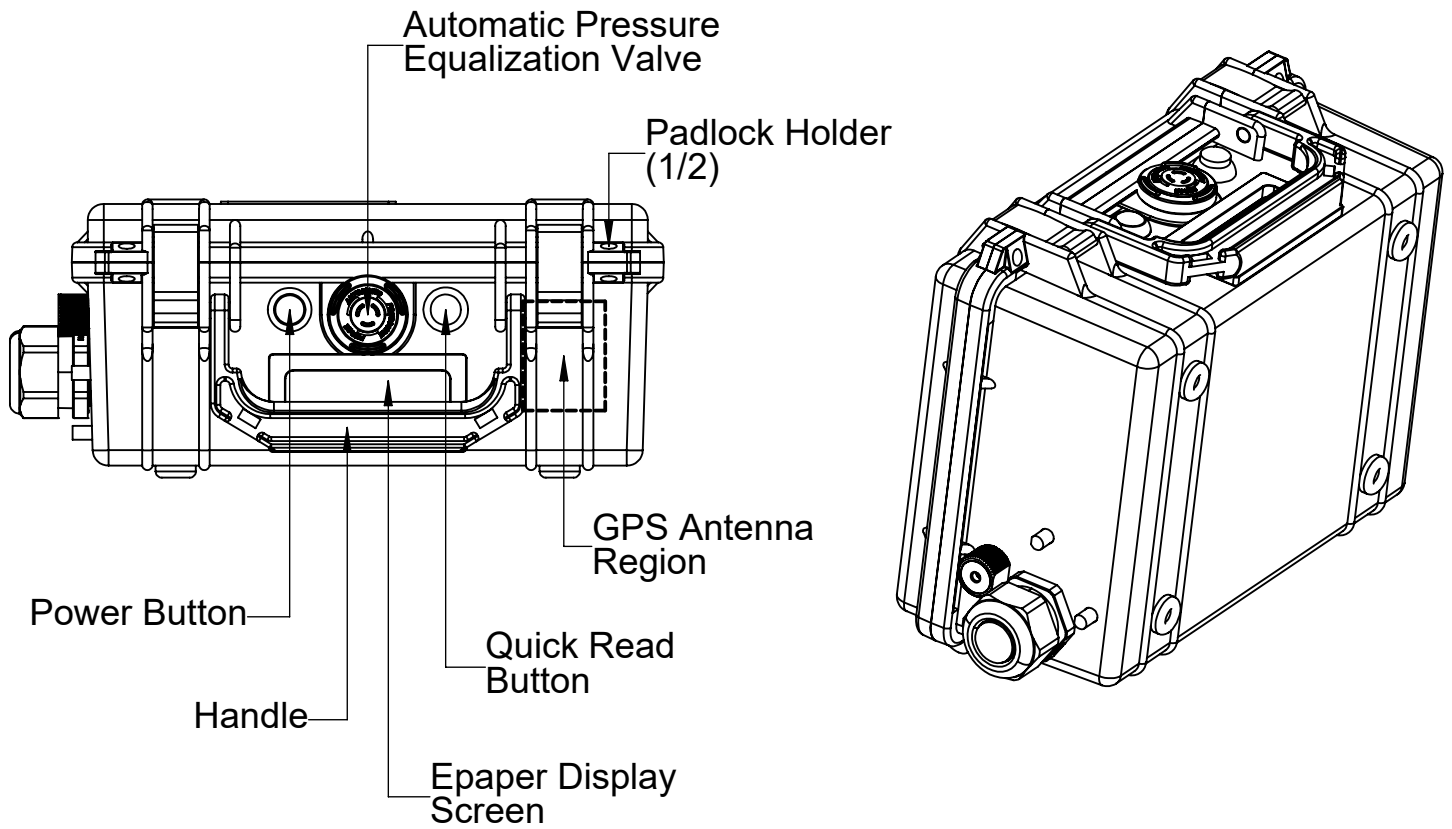
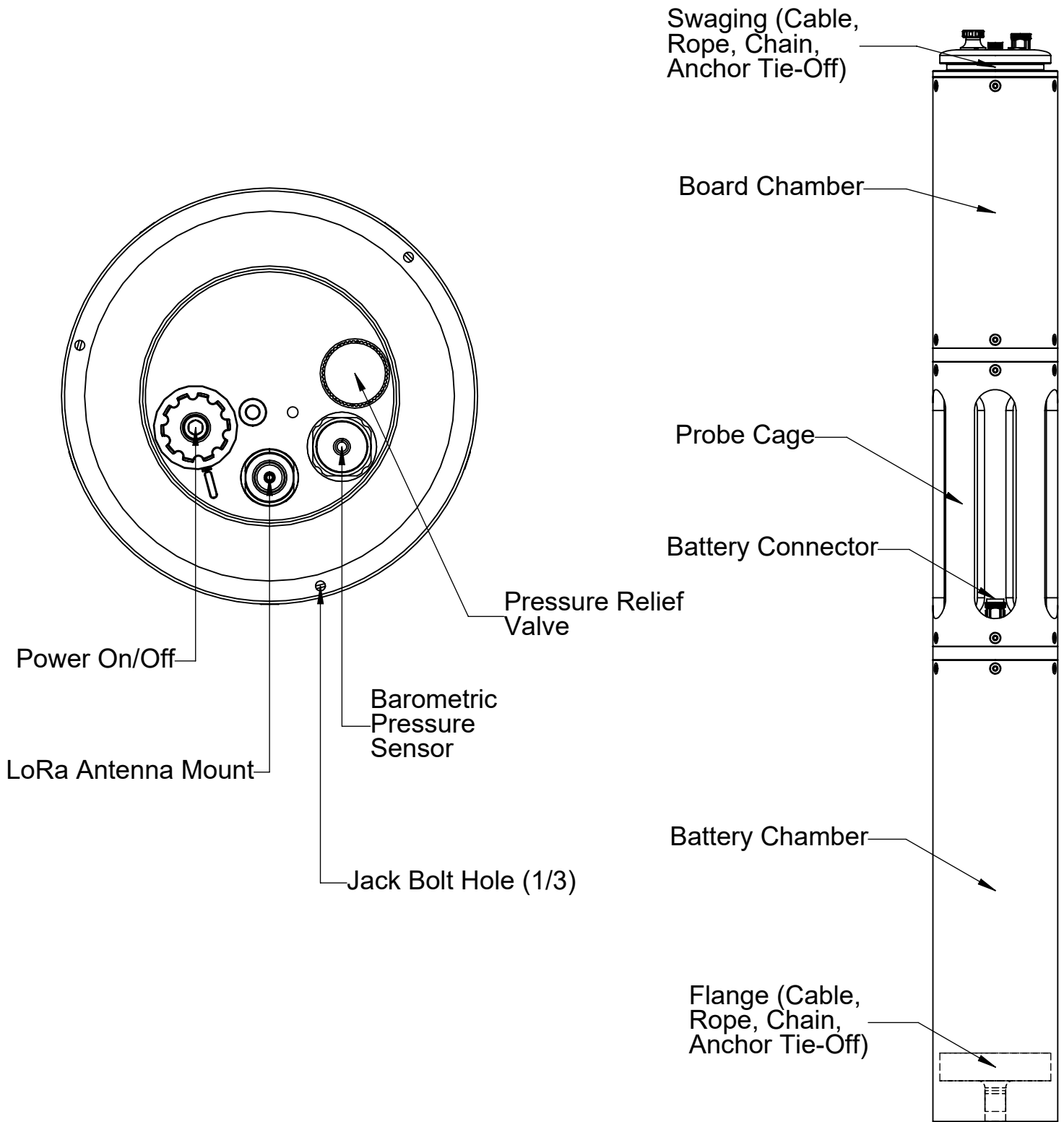


Duro UAS
Lab Sonde V2.1
Weight: 2.1 lbs
Dimensions: 7.1 in x 5.3 in x 2.2 in (LxWxH)



Duro UAS
 Field Sonde V2.1
 Weight: 5.7 lbs
 Dimensions: 8.7 in x 6.2 in x 3.9 in (LxWxH)
 Model courtesy of Shane Davis at GrabCAD



Duro UAS
 Nearshore Sonde V2.1
 Weight: 13.7 lbs (w/o batteries) | 20.2 lbs (w/ batteries)
 Dimensions: Length = 38.5 in | Diameter = 4.5 in